

केन्द्रीय रेशम प्रौद्योगिक अनुसंधान संस्थान  
केन्द्रीय रेशम बोर्ड

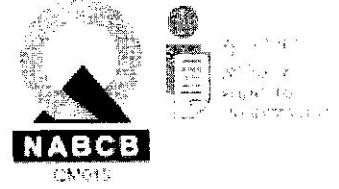
(वस्त्र मंत्रालय- भारत सरकार)

बी.टी.एम. लेआउट मडिवाला बेंगलूरु- 560068

**CENTRAL SILK TECHNOLOGICAL RESEARCH INSTITUTE**  
**CENTRAL SILK BOARD**

(Ministry of Textiles - Govt. of India)

B.T.M. Layout, Madivala, Bengaluru-560068



Phone: 080-26685238, 26282190, Fax: 080-26680435, Email: [cscriban.csb@nic.in](mailto:cscriban.csb@nic.in), web: [www.cscri.res.in](http://www.cscri.res.in)

**No.CSB/CSTRI/ 19(55)/2017-Stores**

**Date: 31.12.2021**

To

Sir,

Sub: Inviting Quotations for Supply of CSTRI Slit Button consisting of Ceramic Flat, Ceramic Holder Made Of Organic Polymers and Torsion Spring –  
Reg.

\*\*\*\*\*

With reference to the subject cited above, I am to inform that this Institute invites quotation in two bid system through e-procurement for supply of **CSTRI Slit Button TO CSTRI, BANGALORE** as per the specification mentioned below:-

#	Item Particulars	Specification	Quantity in numbers
1	Slit Button consisting of Ceramic Flat, Ceramic Holder Made Of Organic Polymers and Torsion Spring	As per specification enclosed	500

**TERMS & CONDITION :**

1. The quotation in **two bid (Technical Bid & Financial Bid)** system should be uploaded in e-procurement portal only. ([website www.eprocure.gov.in](http://www.eprocure.gov.in)). The last date for uploading the bid is **27.01.2022 upto 1.00 P.M.** and the bid will be opened on **28.01.2022 at 2 P.M.**
2. The rates quoted should be valid for 180 days. The item should be supplied within **60 days** from the date of purchase order.

P.T.O.

3. The equipment should be supplied to **DIRECTOR, CENTRAL SILK TECHNOLOGICAL RESEARCH INSTITUTE, CENTRAL SILK BOARD COMPLEX, BTM LAYOUT, BANGALORE-560068**
4. The Other Important Documents (OID) as sought in the e-procurement portal site should be submitted along with technical bid.
5. The bidder has to furnish the basic rate, excise duty (if any), GST (if any), Freight Charges including Insurance (if any), Packing & forwarding charges (if any), any other taxes/duties/levies (if any) in the financial bid.
6. The bidder should submit the duly filled **Bid Securing Declaration** form alongwith the quotation (as per the format enclosed) in lieu of EMD.
7. The Supplier shall provide Warranty/Guarantee valid for a minimum period of 12 months from the date of supply of the item. Any defects noticed in the item which is unintentional shall be set right by the supplier at free of cost for good performance of the items.
8. The item should be supplied strictly in conformity of the enclosed specifications, failing which, the item has to be taken back at your own cost.
9. For delay & non supply of the item within the stipulated time, liquidated damages @ 0.5% per week will be deducted from the bill subject to a maximum of 10% of the total cost of the item..
10. The performance security equivalent to 3% of the total contract value in the form of Bank Guarantee issued by any Nationalized Bank which shall be valid till three months after the expiry of the warranty period should be furnished to this Institute within 10 days from the date of receipt of purchase order in the prescribed format.
11. No advance payment will be made. The payment will be released only after delivery of the equipment in good condition as per our specification, Erection and commissioning
12. **The bidders should submit the Bank Details i.e.Bank A/c.No., Bank Name, Branch, IFSC code. Mobile No. eMail ID Etc. along with quotation**
13. The Director, CSTRI, Bangalore reserves the right to accept any quotations or reject all the quotations without assigning any reason. The decision of the Director is final and no correspondence will be entertained from any party in this regard.

Yours faithfully,

  
(डॉ.सुभास वी नायिक. /Dr.SUBHAS V NAIK)  
निदेशक \ DIRECTOR

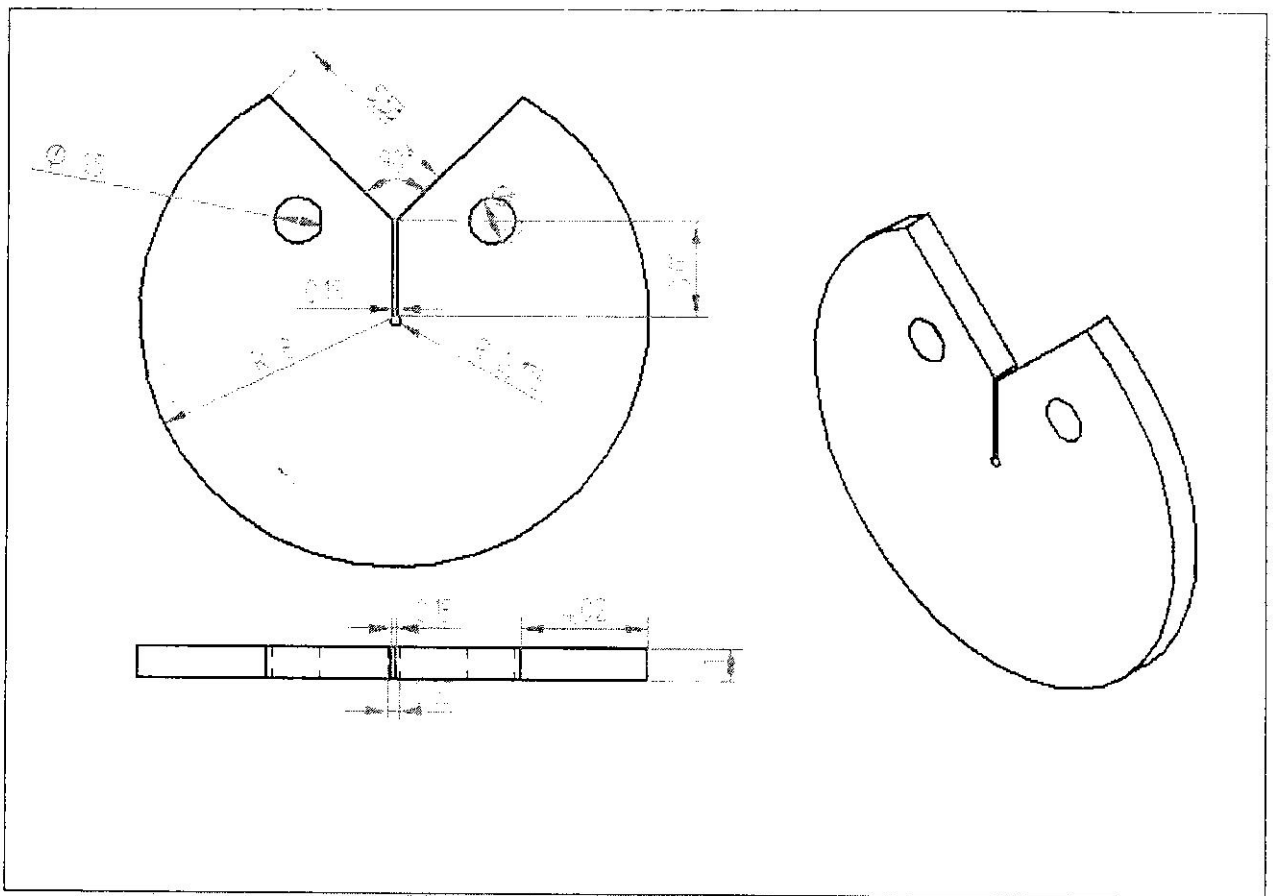
## TECHNICAL SPECIFICATIONS FOR SLIT BUTTON

Slit Button shall consist of following three major parts.

1. CERAMIC FLAT
2. CERAMIC HOLDER MADE OF ORGANIC POLYMERS
3. TORSION SPRING

### 1. CERAMIC FLAT

Ceramic flat plate shall be made of  $Al_2O_3$  ceramic material. The major silk thread passing slit hole shall be 350 microns diameter and having 150 microns width slit (Fig 1). The plate should have 1.5 mm diameter holes on either side of the slit as per the drawings. The diameter of ceramic plate shall be of 21 mm with  $90^\circ$  cut to form semi circular plate ending the slit. The thickness of the ceramic shall be 1 mm and other details are given in the Figure-1. The silk thread passing hole and slit shall be smooth finish and it shall not have any rough surface. The silk thread passing hole should be circular in shape.

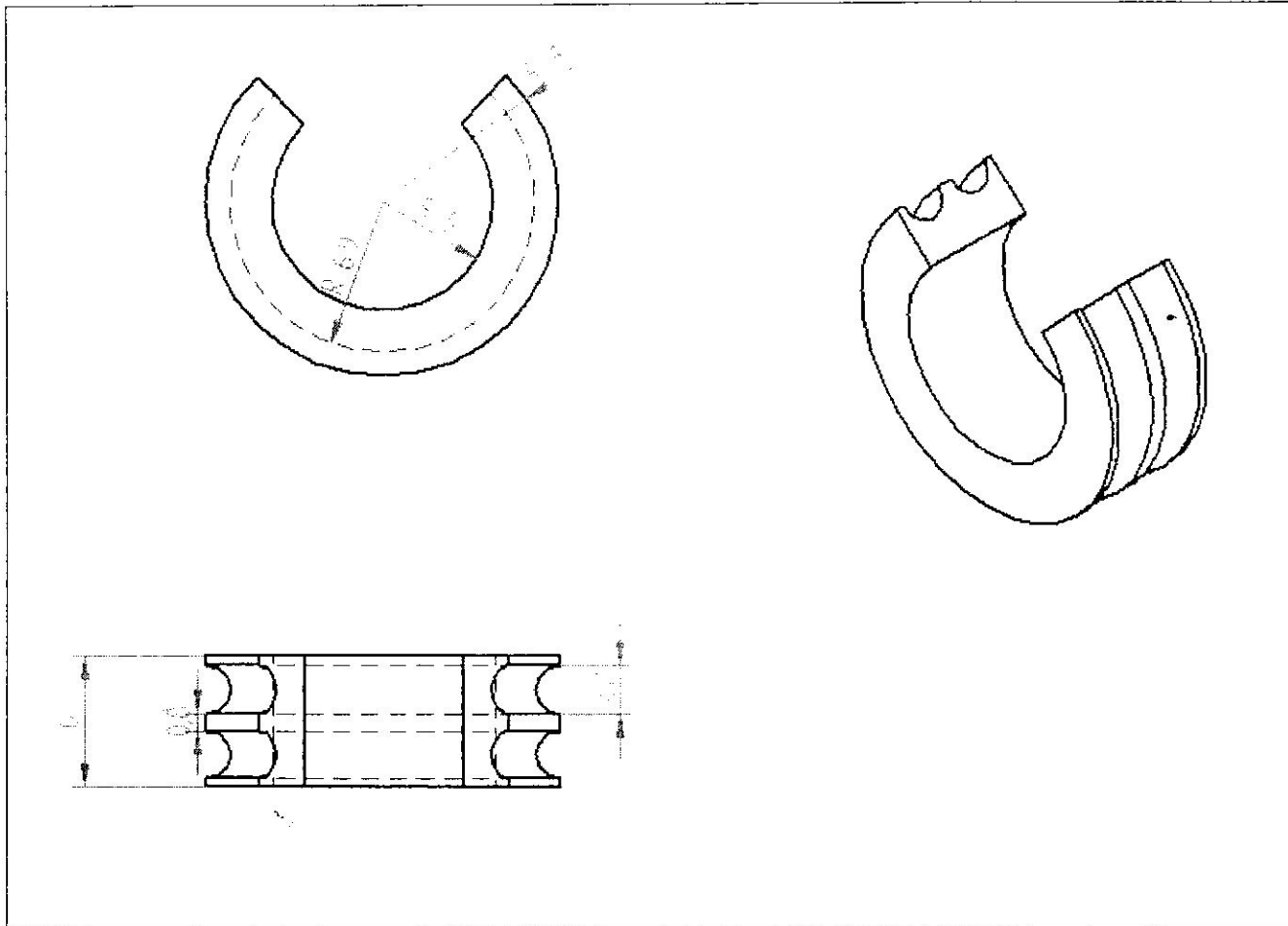


All dimensions are in mm

Figure -1.

## 2. CERAMIC HOLDER MADE OF ORGANIC POLYMERS

Ceramic flat holder shall be made of organic polymers of HDP with 90° angle opening at one side as shown in the Figure-2 with insert molding of ceramic slit button. The provision shall be provided as per the drawings to mount at reeling machine button clips and also should have Torsion spring mounting groove as per the drawing on the top side having a dimension of 21.3 mm diameter.

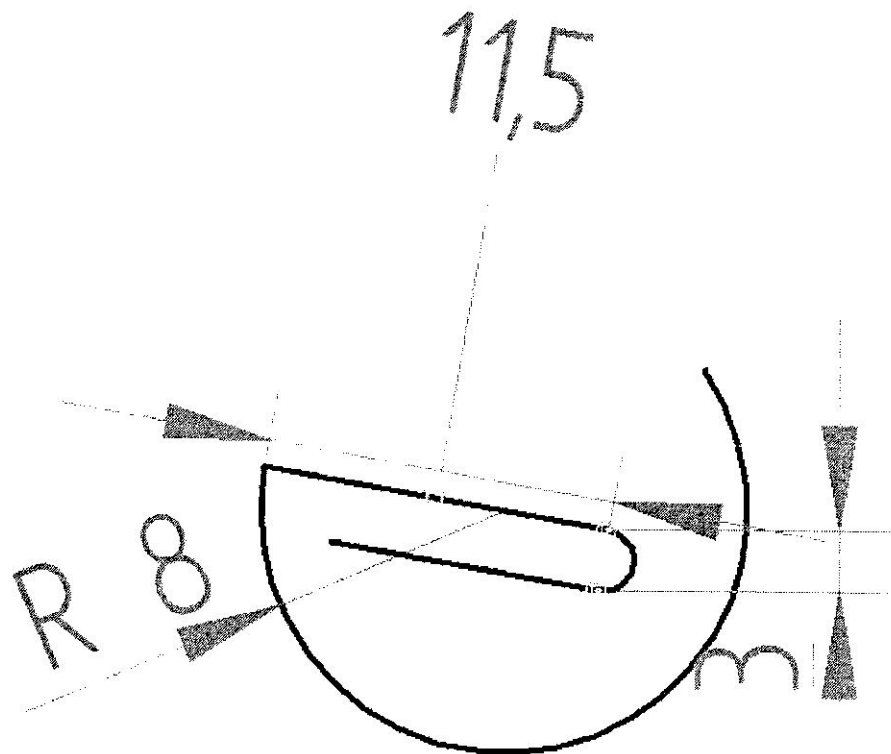


All dimensions are in mm

Figure -2.

### 3. TORSION SPRING

Torsion spring shall be made of corrosion resistance SS wire having a shape shown in Figure -3. The SS wire diameter shall be 1 mm. The circular spring outer to outer diameter should be 20.77 mm. 1 to 1.25 mm gap to be provided between spring and ceramic flat to insert the thread in the button. The detailed dimensions in millimeter (mm) are shown in Figure -3.



All dimensions are in mm

Figure -3.

The Image of the complete assembled with above said three items are shown in the Figure – 4 to 5. For further detailed information and observation of the sample may please contact The Director, CSTRI, Central Silk Board, Bengaluru-560 068 between 9.30 AM to 6 PM during working days

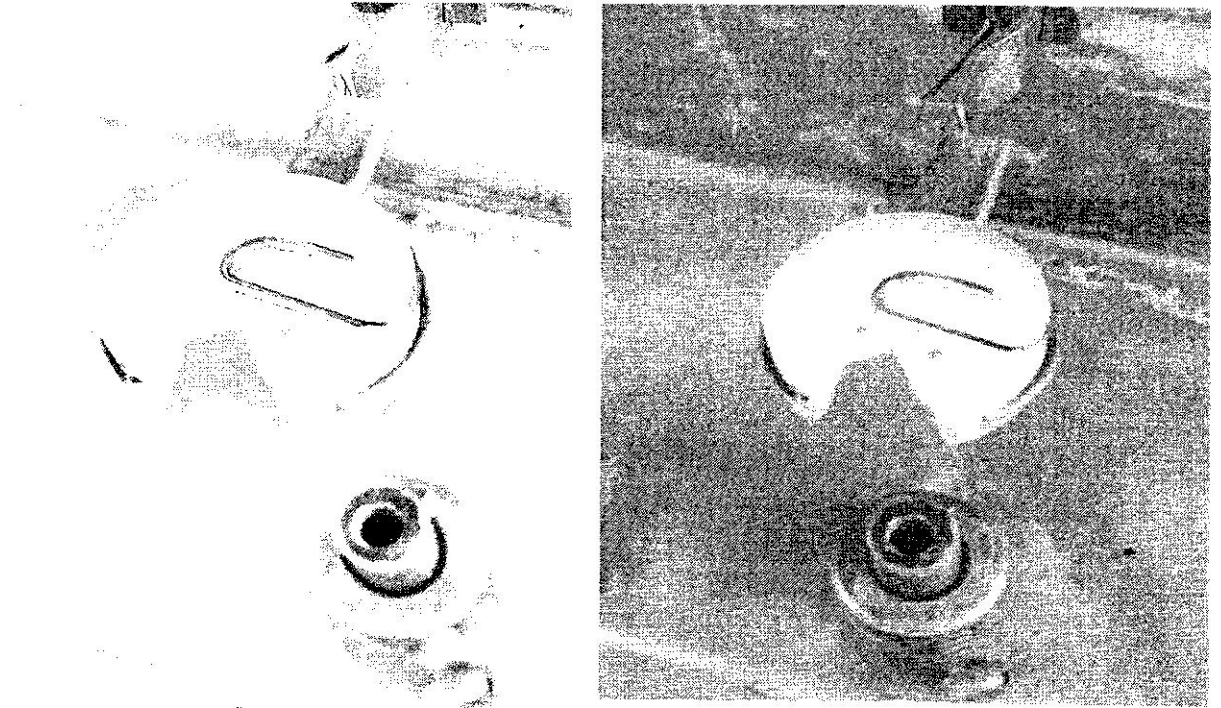


Figure -4.

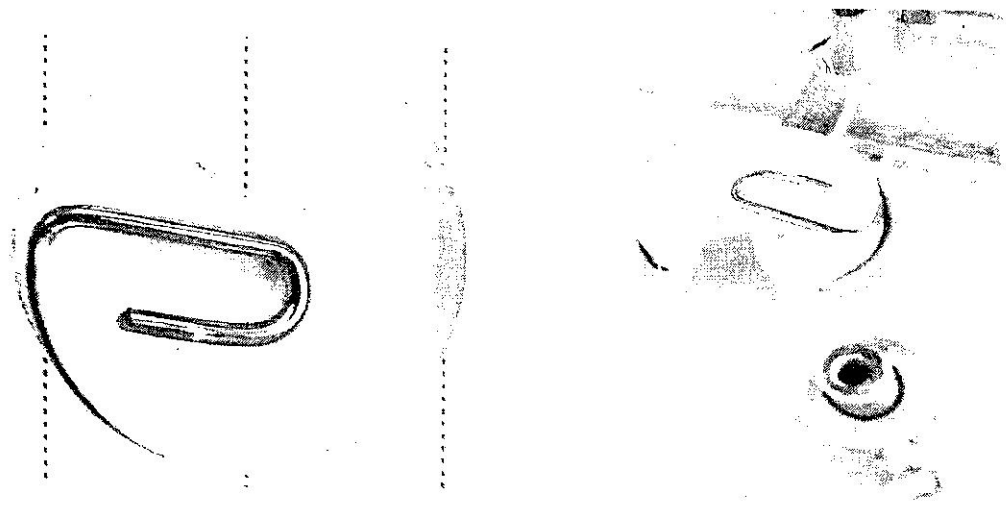


Figure -5.

## BID SECURING DECLARATION FORM

Tender No. CSB/CSTRI/19(55)/2017-STORES

Date:

To  
The Director,  
CSTRI,  
BANGALORE

I/We, The undersigned, declare that :

I/We understand that, according to your conditions, bids must be supported by a Bid Securing Declaration.

I/We accept that I/We may be disqualified from bidding for any contract with you for a period of one year from the date of notification if I am/We are in a breach of any obligation under the bid conditions, because I / We

- a) have withdrawn / modified/amended, impairs or derogates from the tender, my / our Bid during the period of bid validity specified in the form of Bid ; or
- b) having been notified of the acceptance of our Bid by the purchaser during the period of bid validity (i) fail or reuse to execute the contract, if required, or (ii)fail or reuse to furnish the Performance Security, in accordance with the Instructions to Bidders.

I/We understand this Bid securing Declaration shall cease to be valid if I am / We are not the successful Bidder, upon the earlier of (i) the receipt of your notification of the name of the successful Bidder; or (ii)thirty days after the expiration of the validity of my / our Bid.

Signed:

(Insert Signature of person whose name and capacity are shown)

In the capacity of

(Insert legal capacity of person signing the Bid Securing Declaration)

Name:

(Insert complete name of person signing the Bid Securing Declaration)

Duly authorized to sign the bid for an on behalf of (Insert complete name of Bidder)

Dated on \_\_\_\_\_ day of \_\_\_\_\_ (insert date of signing)

Corporate Seal (where appropriate)

(Note: In case of Joint Venture, the Bid Securing Declaration must be in the name of all partners to the Joint Venture that submits the bid)